

MORTAR BOX FMK 200 L

Technical qualities:

The Mortar Box FMK is designed for the transport of mortar.

Thick wall, it's adapted to construction site with 200 liters capacity and 430 kg load.

Hoist ring and steel epoxy frame.

You can bind the Mortar Box FMK and you can transport with forklift truck.

Strong box, resist to temperature from -30°C to +40°C, resist to chemical products and most detergents. The plastic material is protected against UV rays.

If you clean it regularly you will have the benefit of 5 years warranty.

In compliance with CE,TÜV, GS.



Ref. 300 307

The Mortar Box FMK is designed for the transport of mortar.

- Fits on the Mortar Box Trolley
- Capacity up to 430 kg
- Resistant to extreme temperatures
- Treatise on different chemicals products
- Treated to resist UV
- 5 years warranty
- In compliance with various regulations

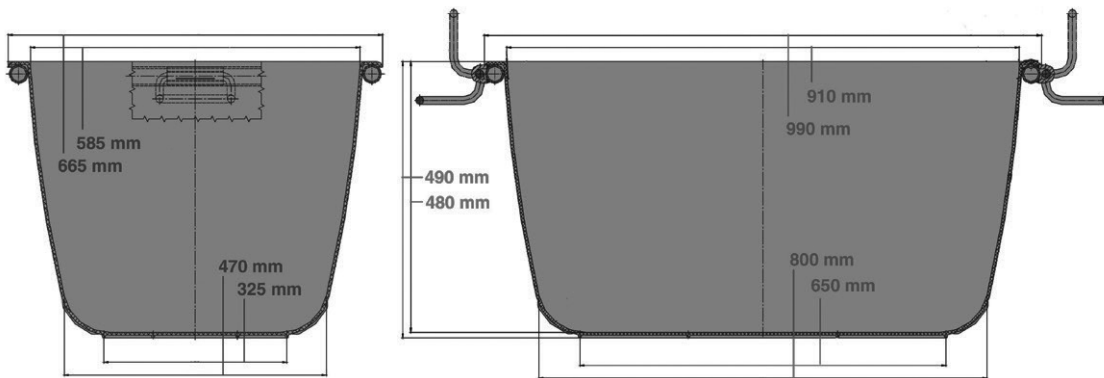
Applications:

- On construction sites

Characteristics:

- Outside dimensions (L x l x H): 990 x 665 x 490 mm
- Inside dimensions (L x l x H): 910 x 585 x 480 mm
- Volume: 200 L
- Net weight: 17 kg
- Capacity: 430 kg
- Maximum charge allowed: 447 kg
- Color: red (other on request)
- Stackable

Dimensional Drawings:



Hot stamping in compliance with current legislation



Sling handle for empty transport



Trolley and box sold separately

Terms of use

The user is responsible for defining the products to be adapted to its own use. TELIP takes charge of submitting accurate and updated information. However, as part of the continuous improvement of its products, TELIP reserves the right to proceed with frequent modifications without warning. Therefore, TELIP cannot guarantee the accuracy and current reality of information on its products. All transactions are subject to general terms and conditions of sales and transportation. These conditions are available upon request and downloadable on the website www.telip.fr.

TELIP
MANUTENTION ET LEVAGE

TELIP
2, rue Andrée Reigner - Z. I. La Bougeoire
35 130 La Guerche de Bretagne
FRANCE

Tél. : 02 99 96 17 16
Fax : 02 99 96 17 26

contact@telip.fr
www.telip.fr