

# STAINLESS STEEL HAND TRUCK

## 150 KG

### Technical qualities:

The Stainless Steel Hand Truck 150 has the specificity to be made of 304 L stainless steel. Therefore, it can be used in cold and very wet conditions while remaining robust. It can be used in several industries including: agro-food, hospital environment or pharmaceutical.

No risk of corrosion.



### Ref. 300 739

*The Stainless Steel Hand Truck 150 was designed to be used in cold and wet environments.*

- 304 L stainless steel robust structure
- Grey blue non-staining rubber tyres
- Quiet ride
- Light

### Applications:

- Agro-food industry handling
- Handling in difficult environments
- Cold and wet environments
- Chemical industries, cosmetics, ...

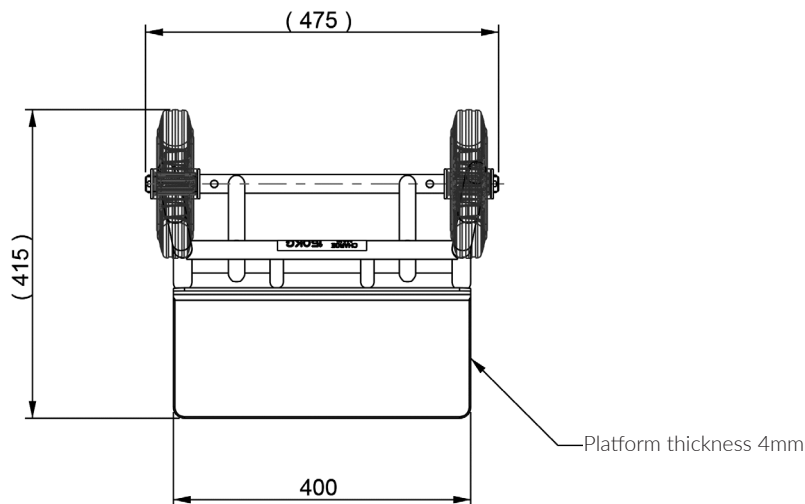
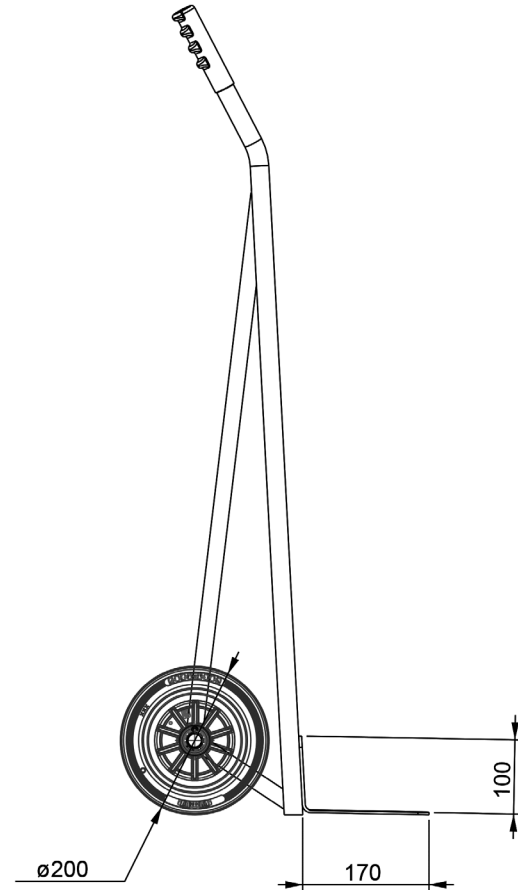
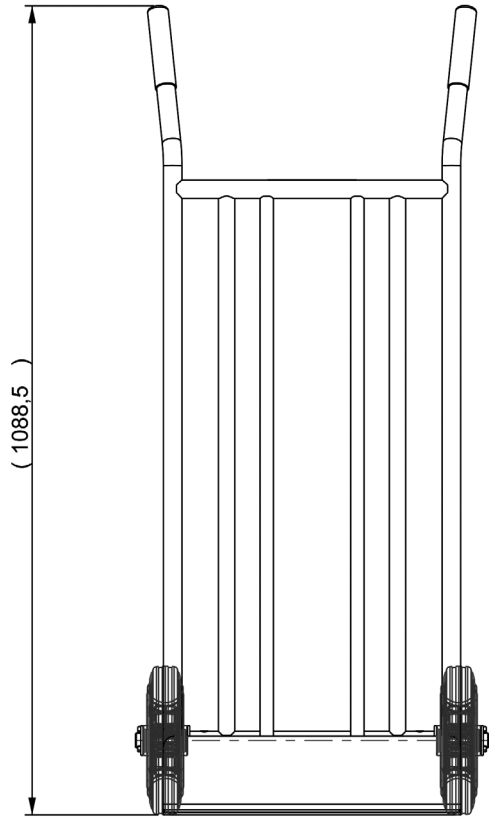
### Characteristics:

- Maximum working load: 150 kg
- Rigid wheels ø 200 mm
- Black Thermoplastic Wheel Centre
- Hubs with stainless steel rollers
- Ergonomic handles length 120 mm
- Congestion (L x W x H): 415 x 475 x 1090 mm
- Platform (L x D) : 400 x 170 mm
- Platform thickness: 4 mm
- Tare weight: 12 kg

For further information about this product:

**contact@telip.fr**

## Dimensional Drawings:



### Terms of use

The user is responsible for defining the products to be adapted to its own use. TELIP takes charge of submitting accurate and updated information. However, as part of the continuous improvement of its products, TELIP reserves the right to proceed with frequent modifications without warning. Therefore, TELIP cannot guarantee the accuracy and current reality of information on its products. All transactions are subject to general terms and conditions of sales and transportation. These conditions are available upon request and downloadable on the website [www.telip.fr](http://www.telip.fr).

**TELIP**  
MANUTENTION ET LEVAGE

TELIP  
2, rue Andrée Reigner - Z. I. La Bougeoire  
35 130 La Guerche de Bretagne  
FRANCE

Tél. : 02 99 96 17 16  
Fax : 02 99 96 17 26

[contact@telip.fr](mailto:contact@telip.fr)  
[www.telip.fr](http://www.telip.fr)