

KEG LIFTING HAND TRUCK DPF 400

Technical qualities:

The Keg Lifting Hand Truck DPF 400 allows to conveniently carry any type of 210L rimmed keg.

Thanks to the level principle, the tilting of the keg can easily be done by one person.

The displacements are facilitated by the presence of its two \varnothing 250 mm front wheels. All the rear, a braking caster enables to maintain the whole set during displacements by limiting the user action to the simple guidance of the equipment.

The keg maintained on the upper part by a mechanical locking which positions itself very quickly before tilting.

For metallic or plastic rimmed kegs, capacity 210 L.



Ref. 300 774

The Keg Lifting Hand Truck DPF 400 allows to conveniently carry 210L rimmed keg, metal or plastic.

- Torsion-free steel structure
- Red EPOXY paint finish (RAL 3002)
- Excellent stability
- Tilting of the keg thanks to the lever principle
- Displacement facilitated by its 2 wheels \varnothing 250 mm
- Supporting caster reducing the drudgery
- Up to 400 kg load

Applications:

- Widely used in factories and warehouses
- Transport of kegs

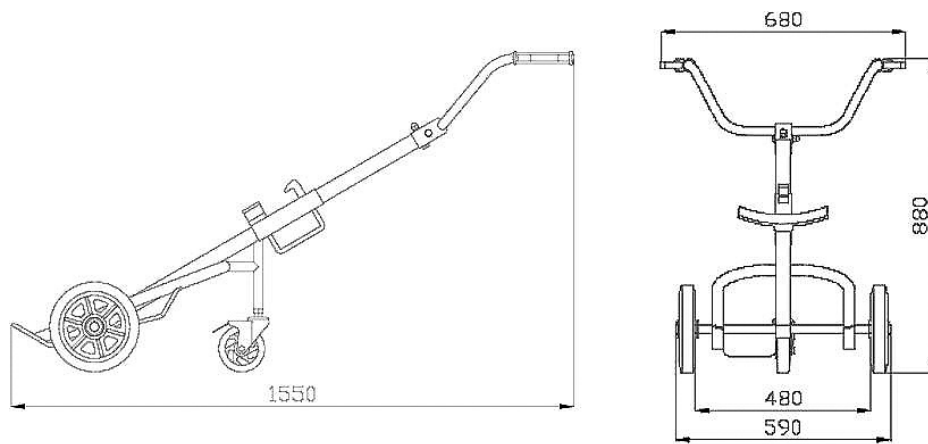
Characteristics:

- Maximum working load: 400 kg
- 2 rubber tyred wheels \varnothing 250 x 50 mm, at the front
- 1 braking caster \varnothing 125 x 30 mm, at the rear
- Total length: 1550 mm
- Total height: 880 mm
- Total width: 680 mm
- Tare weight: 21 kg

For further information about this product:

contact@telip.fr

Dimensional Drawings:



Applications:



Metallic Keg



Plastic Keg



Video available on our channel

«TELIP Manutention et Levage»



Terms of use

The user is responsible for defining the products to be adapted to its own use. TELIP takes charge of submitting accurate and updated information. However, as part of the continuous improvement of its products, TELIP reserves the right to proceed with frequent modifications without warning. Therefore, TELIP cannot guarantee the accuracy and current reality of information on its products. All transactions are subject to general terms and conditions of sales and transportation. These conditions are available upon request and downloadable on the website www.telip.fr.

TELIP
MANUTENTION ET LEVAGE

TELIP
2, rue Andrée Reigner - Z. I. La Bougeoire
35 130 La Guerche de Bretagne
FRANCE

Tél. : 02 99 96 17 16
Fax : 02 99 96 17 26

contact@telip.fr
www.telip.fr